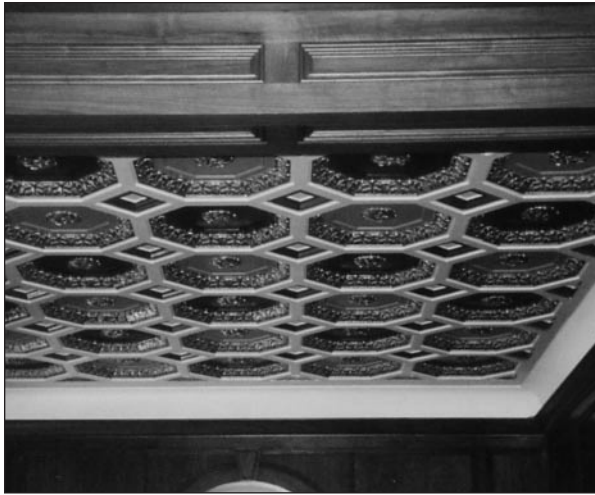
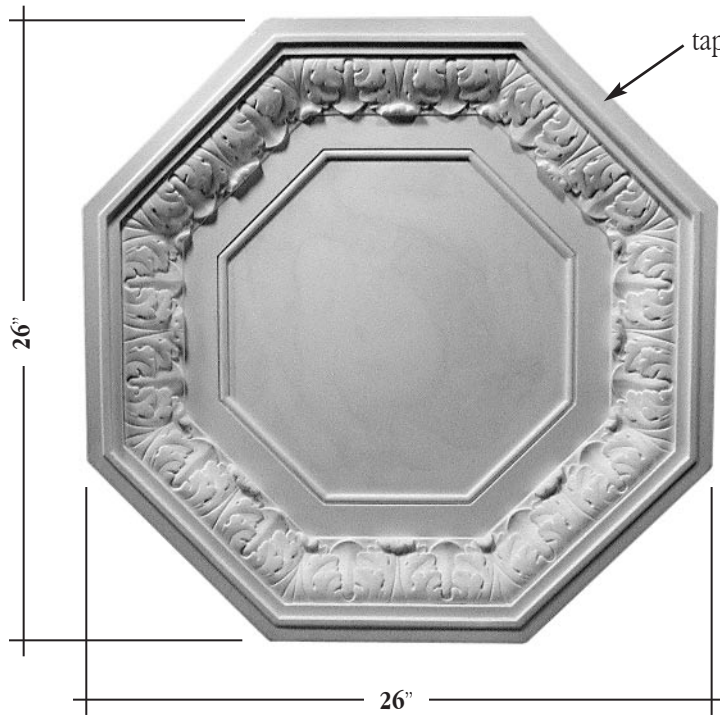
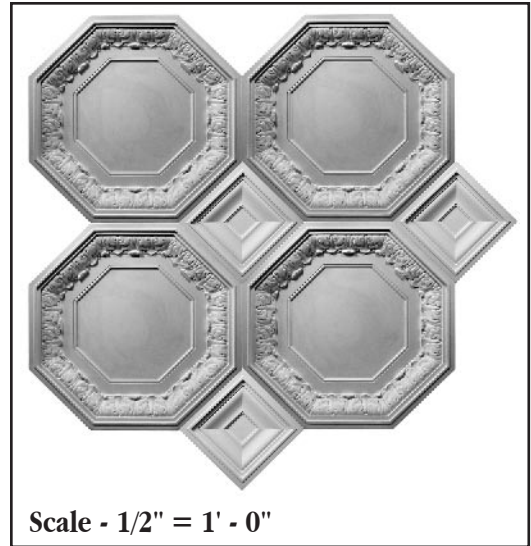


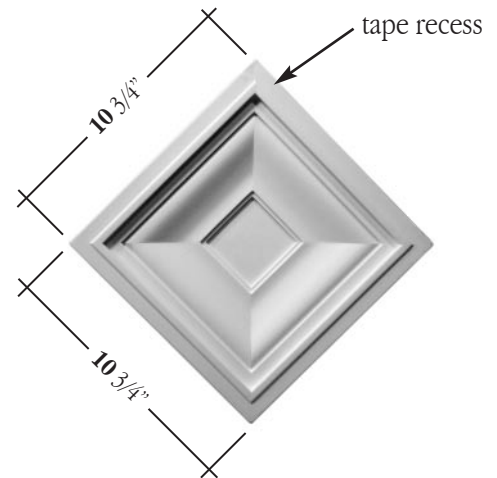
COFFERS



Ceiling installation using the CF-002 coffer panel and square panel with optional center rosette.



P. - back to front : 2 1/8"



P. - back to front : 1 1/2"

Two rosette blocks are included per coffer.

CF-002

Scale - 1 1/2" = 1' - 0"



FELBER
ORNAMENTAL
PLASTERING CORP.

PO BOX 57, 1000 WEST WASHINGTON STREET
NORRISTOWN, PENNSYLVANIA 19404
FAX: 610-275-6636 1-800-392-6896 WEB: www.felber.net